

WWW.SYNTENEC.COM

SYNENEC

PERIPHERALS AND ROBOTICS FOR
AUTOMATION



SYNENTEC

Additional High Throughput Peripherals

SYNENTEC offers various peripheral products and robotics for automation to extend functionality and to improve laboratory processes as well as increase throughput and walk away time.

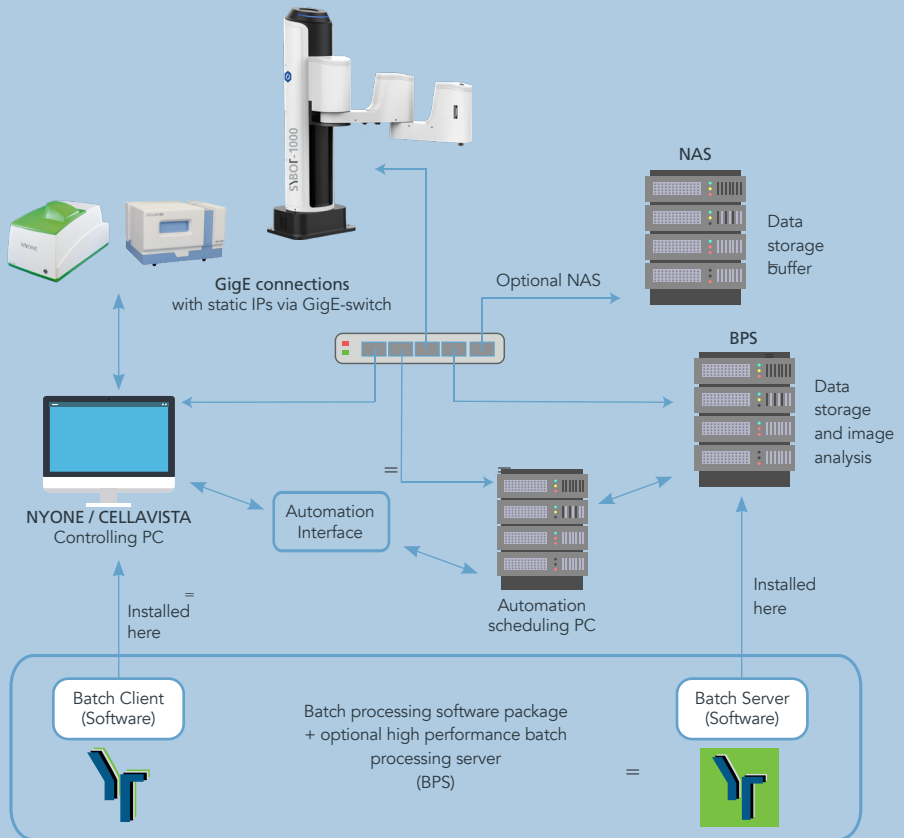
The peripherals and accessories are compatible with SYNENTEC's imaging systems CELLAVISTA and NYONE which are integrated into YT-Software. Upgrades are possible anytime they are needed to achieve the required throughput, functionality and ease of use.

From simple plate loading with SYBOT-1000 at ambient temperature or long term imaging combining SYBOT-1000 with Cytomat™ 2 C-LiN to high end integrations with external collaborators into cutting edge automation enclosures, SYNENTEC has a solution for your automation project.

SYNENTEC peripheral products and robotics for automation

	Automation Server	Batch Processing Server	Cytomat™ 2 C-LiN	SYBOT-1000
General purpose	Automated measurements using third party software of automation	High performance image processing and exporting increasing throughput	Incubate cells or assays and automatically present plates to SYBOT-1000	Plate handling to and from stacks and incubator
Interface	IP-Address/ Port	IP-Address/ Port	Serial	IP-Address/ Port
Connection	GigE	GigE	RS-232	GigE
Features	<ul style="list-style-type: none"> • Measurements • Image processing • Exporting 	<ul style="list-style-type: none"> • Parallel processing of measurements • Live folder • Reprocessing of old experiments • Updating IP-settings • Processing of third party images 	<ul style="list-style-type: none"> • Detailed control of CO₂ and humidity • Automated • 42 plate capacity • Automatic plate transfer • Remotely controlled by YT-Software 	<ul style="list-style-type: none"> • Reliable handling • Safe gripping • Remotely controlled by YT-Software • Automatic plate transfer • LIFO-stacks (ambient) • Cytomat™ 2 C-LiN

SYNENTEC Automation and Batch Processing System



SYNENTEC Plate Handling System

SYBOT-1000 Capabilities

Integrated in YT-Software

(Run-) Campaigns

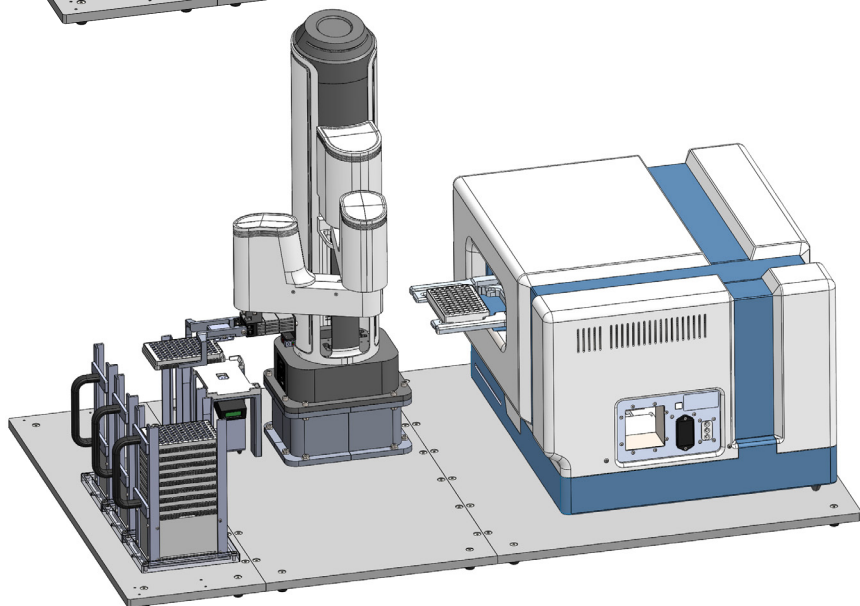
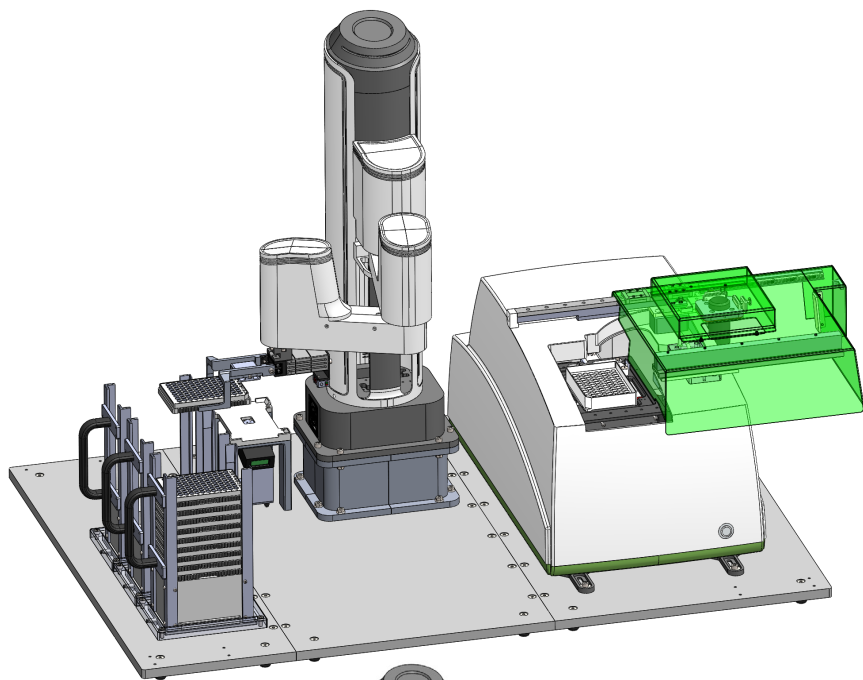
Data handling and evaluation of multiple plates with barcode integration

Capacity	20 plates
Handling time	30 seconds per plate
Compatible Systems	CELLAVISTA & NYONE, Cytomat™ 2 C-LiN
Racks	3 LIFO-racks supplied, (height 250 mm)
Supported carries	SBS format plates, lidded plates supported
Assays	All applications

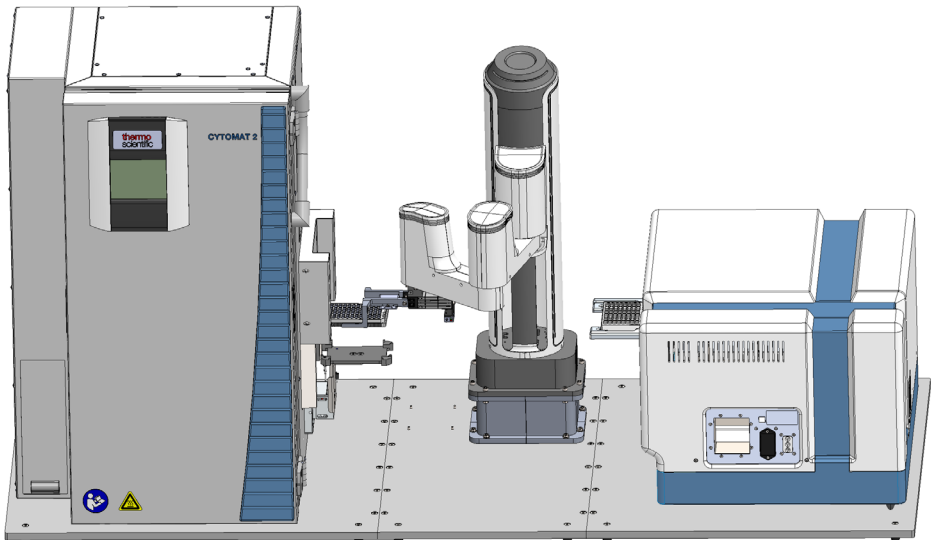
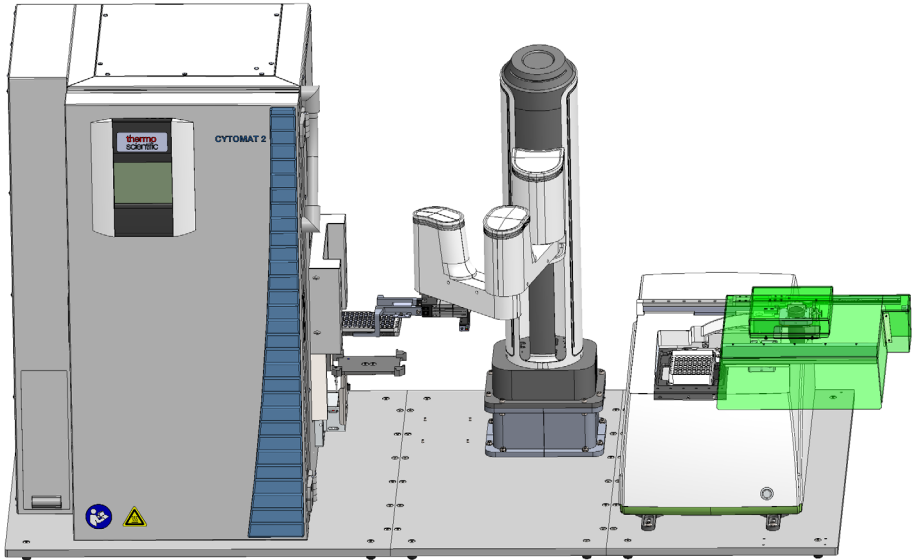


SYNENTEC

Automation of NYONE & CELLAVISTA using SYBOT-1000



SYNENTEC Cytomat™ 2 C-LiN, NYONE AND CELLAVISTA



SYNENTEC Cytomat™ 2 C-LiN

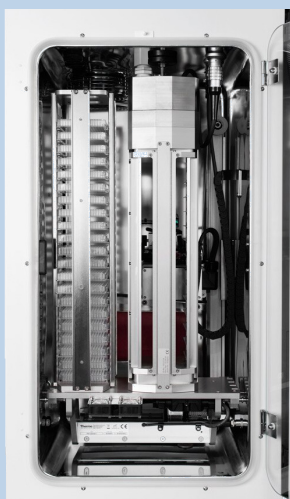
Incubator Cytomat™ 2 C-LiN

Integrated in YT-Software

(Run-) Campaigns

Incubation, Imaging, Data handling and evaluation of multiple plates with barcode integration

Capacity	24 - 1536 well plates, max. 56 plates (1536 WP), plate shuttle system (PSS)
Access time	14 seconds, application specific speed setting
Compatible Systems	CELLAVISTA & NYONE
Environment	CO ₂ & temperature controlled, humidified atmosphere
Supported carries	SBS format plates, lidded plate supported
Assays	All applications



For many years we have been working together with SYNENTEC's automation collaborators to bring high throughput imaging seamlessly into bespoke automation environments.

analytikjena
An Endress+Hauser Company

 **BIOSERO**

 **HighRes**
biosolutions

 **BECKMAN
COULTER**

 **paa**
Enabling faster
scientific breakthroughs

ThermoFisher
SCIENTIFIC

 **PerkinElmer**
For the Better

 **TECAN.**

HAMILTON
ROBOTICS