

FUTURA probes

25mm Flush and Annular probes

Product specification

Aber Instruments has a wide range of probes to suit all applications, the 7.5mm FUTURA pico probe for mini-bioreactors and similar smaller platforms, the 12mm diameter probes ideal for small bioreactors and 25mm diameter for larger vessels, typically used in manufacturing / production environments.

All probes are electro-polished and passivated. Options for USP class VI and FDA CFR21 177 certificates. By default a probe is shipped with a standard certificate of traceability. If you wish to have a full breakdown of all the materials used in the production of a probe then please order the 'Probe Certificate of Conformance' package for each probe. Contact ABER if you wish to see an example of the documentation you will receive.

For recommendations on suitable products for your application, please contact sales@aberinstruments.com

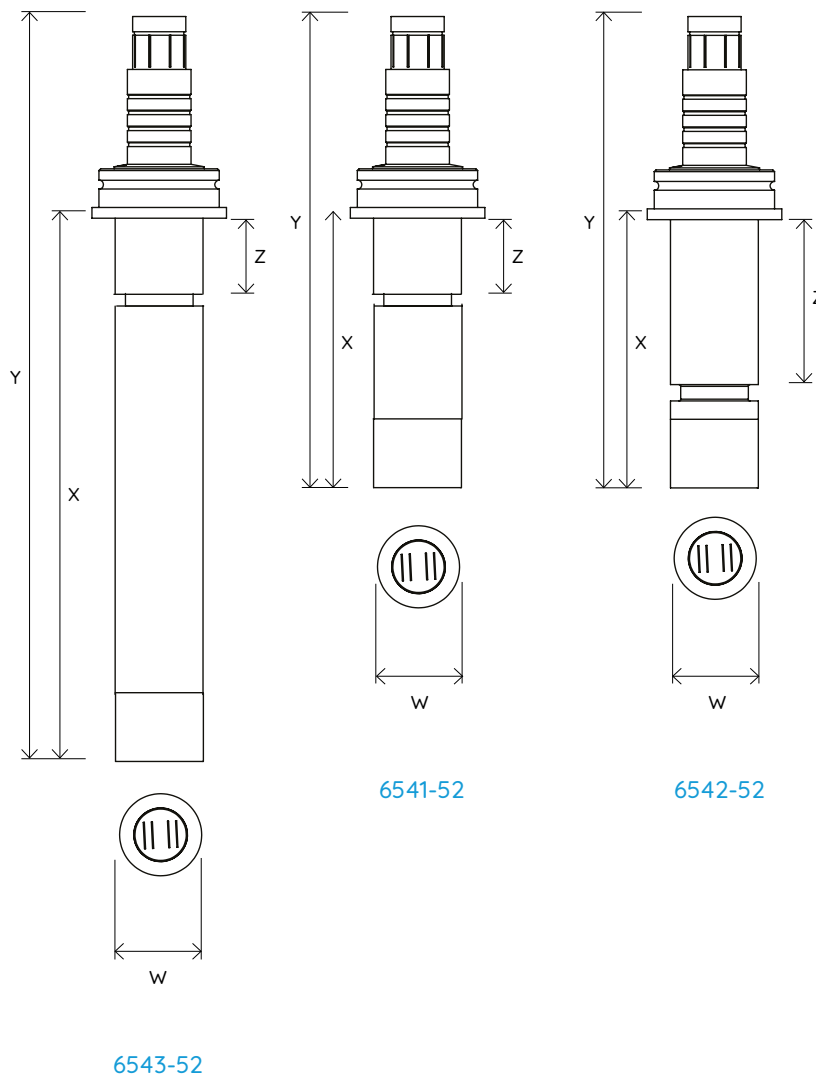


Flush Probe

FUTURA probes

25mm Flush probes

Product specification



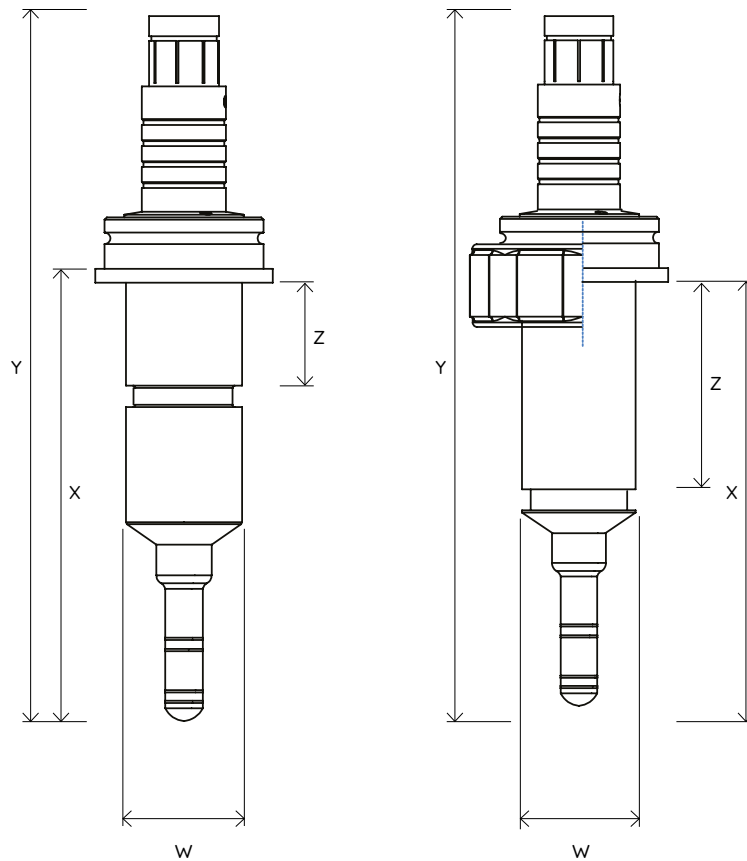
Part Number	Description	Dimensions (mm)			
		W	X	Y	Z
6541-52	25 X 75 mm Flush Probe, Standard O-ring, Retained Ring	25	75	132	22
6542-52	25 X 75 mm Flush Probe, Braun Safety Ports, Retained Ring	25	75	132	46
6543-52	25 X 175 mm Flush Probe, Retained Ring	25	175	239	22

*All 25mm probes (except Tri-clamp) are supplied with a retained ring part number 1844-02 and circlip

FUTURA probes

25mm Annular probe

Product specification



6545-52

6546-52

Part Number	Description	Dimensions (mm)			
		W	X	Y	Z
6545-52	25 X 96 mm Annular Probe, Standard O-ring, Retained Ring	25	96	154	22
6546-52	25 X 96 mm Annular Probe, Braun Safety Ports, Retained Ring	25	96	154	47

*All 25mm probes (except Tri-clamp) are supplied with a retained ring part number 1844-02 and circlip

